



Kimia

Teb DORNIKA

KIMIA TEB DORNIKA





+982126403327
+982166496298



OPHTHALMIC
SURGERY

Memco OS-505

Portable Surgical and Examination Table for Ophthalmic Procedures

ADVANTAGES



- Optimized Price-Performance Ratio
- Generous legroom and clear access to the patient's head for enhanced ergonomics
- Compact, space-saving design ensures flexible use and exceptional maneuverability—even in the tightest environments
- Versatile manual keypad for intuitive operation
- Seamless sterile workflow maintained via foot-operated adjustment functions
- Fully mobile and independent of fixed power sources, thanks to battery-powered operation



- Effortless maneuverability via mechanical guidance operated by foot switch
- 360° rotating, electrically conductive double castors ensure smooth and reliable movement
- Service-friendly design allows easy access for cleaning and maintenance
- User-centric features for intuitive handling and setup



- Low access height enables easy mounting and dismounting
- Comfortable Side Guard enhance patient safety and support ergonomic positioning
- Constructed entirely from high-grade 304 stainless steel for superior durability and hygienic performance





Mattress Options:

Available in both detachable and fixed configurations



Head Rest Options:

Available in both mechanical and electronic configurations for tailored operational preferences



Foot Switch Options :

Removable foot switch enables seamless electronic adjustment of height and headrest with infinite precision



Side Gaurd Options:

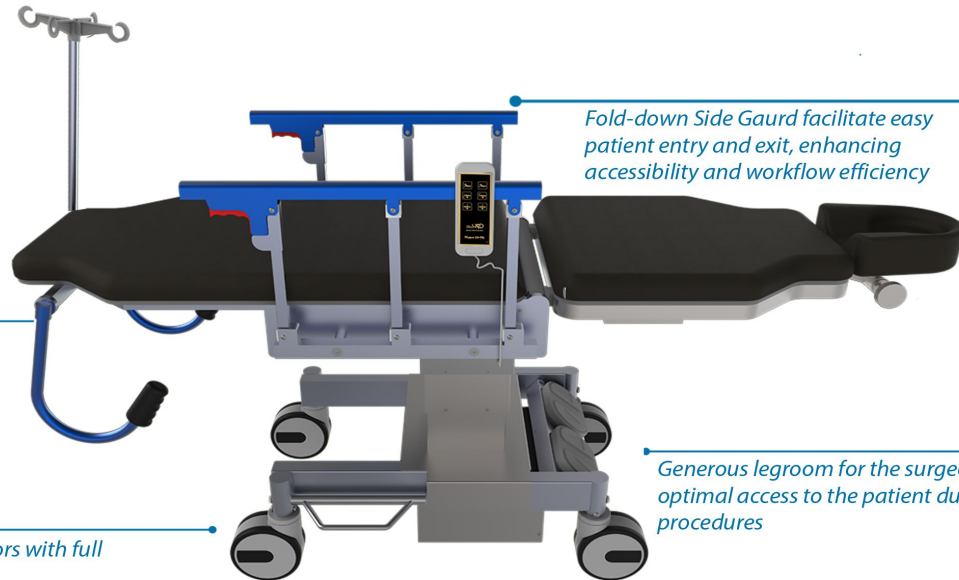
It's Possible to have Fold-down Side Gaurd for easy patient access and space efficiency



Castors Options:

Choice of double castors with electrostatic central locking or standard castors with central locking for secure and adaptable mobility

EQUIPMENTS



Foldable pushing handles

360°rotating double castors with full locking mechanism

Fold-down Side Gaurd facilitate easy patient entry and exit, enhancing accessibility and workflow efficiency

Generous legroom for the surgeon, ensuring optimal access to the patient during procedures



Multi-functional manual keypad

Memco OS-505

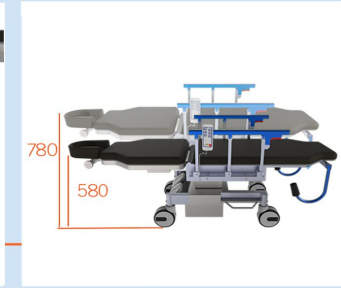
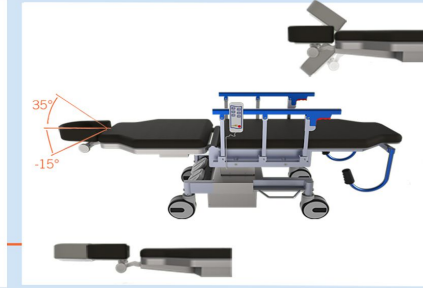
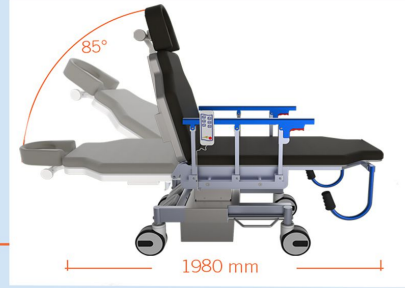


Options: I.V. POLE



Options: Foldable pushing handles

Memco OS-505



SPECIFICATIONS:

Mobility and Safety Features of Chassis:

- Brake system operable from both sides, acting on two wheels each for secure positioning
- Two wheels with independent directional locking for enhanced steering control
- Double-rimmed castors for stability and smooth movement \varnothing 150 mm
- Detachable foot Switch enables total height and headrest adjustment
- All visible screws made of stainless steel for durability and hygiene compliance

	Max. Load	Angle	Dimensions (l x w)
- Head part	20 kg	-15°/+35°	300 x 250 mm
- Back part	90 kg	0°/+85°	610 x 610 mm
- Seat part	90 kg		
- Leg part	50 kg		
- Height adjustment	250 kg		from 580 – 780 mm

Lifting Column Specifications:

- Maximum lifting force: 6000N_200 mm
- Maximum patient weight capacity: 250 kg
- Motor protection rating IPX4

Upper Frame Specifications

- Three-part support frame/head, back, seat sections for versatile patient positioning
- Length 1,980 mm
- Width 550 mm
- Access height 580 mm
- Removable upholstery for easy cleaning and maintenance

Electronic Control:

- All electronic components comply with IPX4 protection standards for splash resistance and clinical safety
- Handset for intuitive control of key functions
- Foot Switch enables hands-free operation, supporting sterile workflows and uninterrupted procedures

Battery Unit:

- Integrated battery box containing two lead-gel batteries
Pollution-free, maintenance-free, and cadmium-free for environmentally responsible operation 2 x 12 V 7.2 Ah
- Functions as a backup system
Easily exchangeable without the need for tools, ensuring quick and efficient replacement

- Universal battery charger Input: 100-240 V, Output: 24 V

Operating Time Per Battery Charge:

- Battery performance measured by complete operating cycles:
Prepare – Operate – Recover 20 OPs
- Number of cycles per charge varies based on individual usage patterns and procedure duration

Electromotive Drives:

- Motorized adjustment of headrest, backrest, and overall height (total up/down)
- Enables smooth, precise positioning for enhanced procedural ergonomics and patient comfort

Max. Load 250 kg

Weight 135 kg

Certificates:



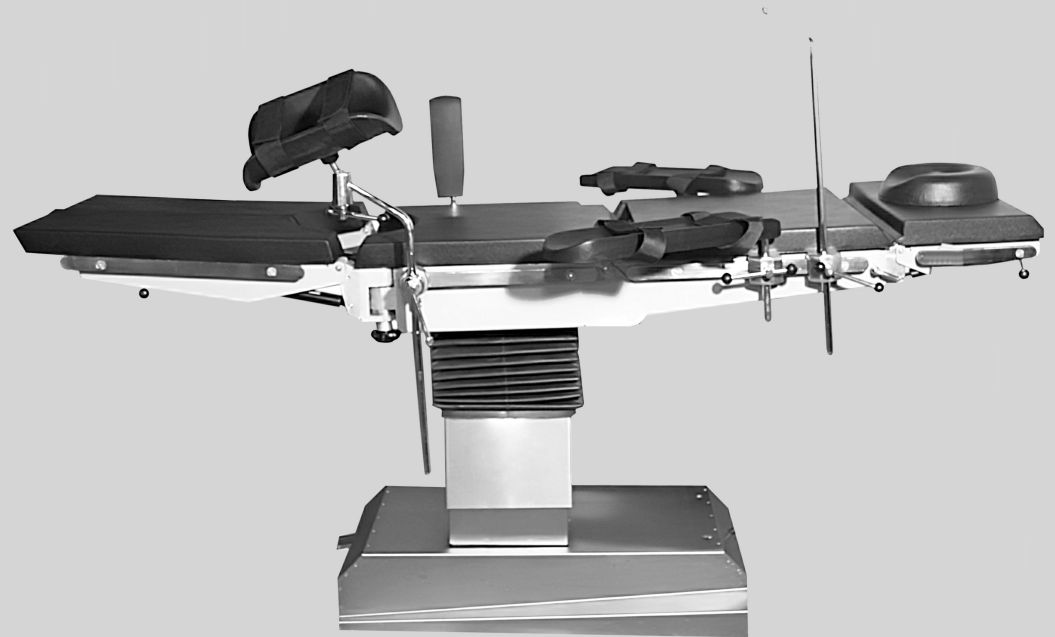


Operating Table

Operating Table

OT-505

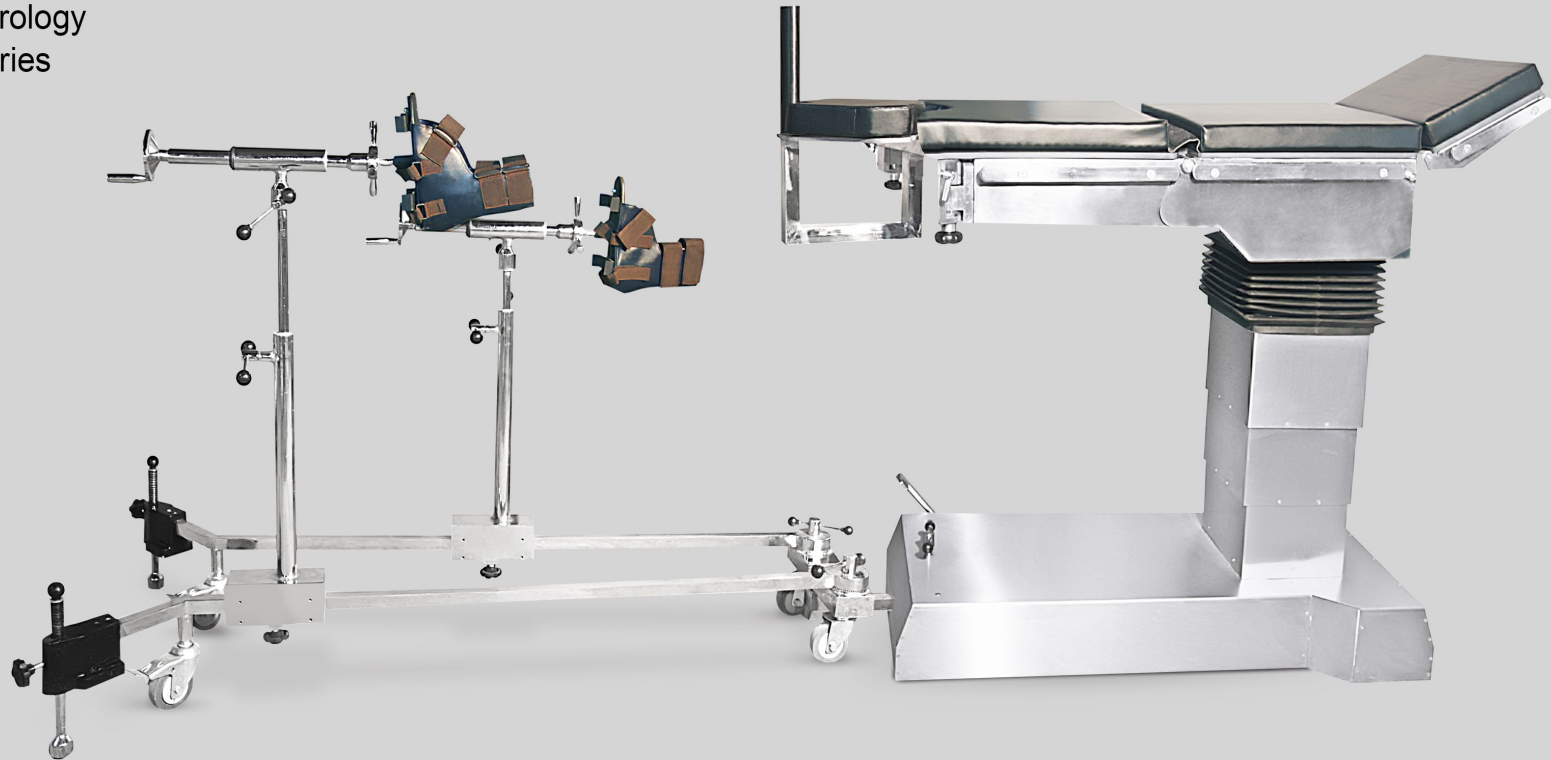
- Automatic Height Adj. Trendelenburg & Rev., Lateral Tilt, Back Section
- Stainless steel Frames & Cover
- Radiolucent Tabetop
- IP66, Washable, Lightweight and User Friendly Hand Control
- Perfect for All General Surgeries
- Lock / Unlock
- Battery Back up



C-ARM Operating Table

CARM-505

- Full C-arm Access
- Completely Radiolucent
- Strong Electric System
- Stainless Steel Frames & Covers
- Automatic Height Adj., Trendelenburg & Rev Lateral Tilt, Back Section
- IP66, Washable, Lightweight and User Friendly Hand Control
- Perfect for Orthopedic, Neuro-Surgery & Urology Endo-Urology and All Image-Guided Surgeries
- Battery Back Up

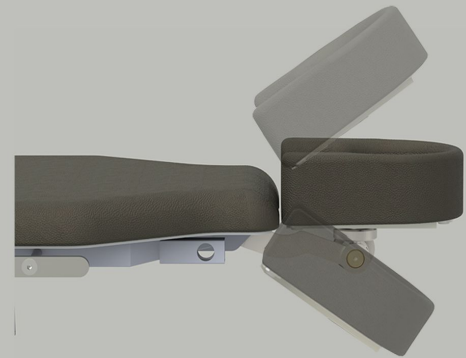
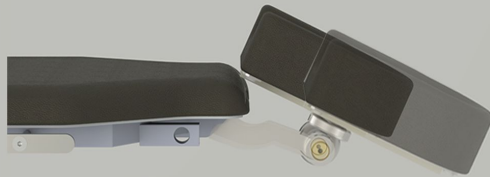


- Automatic Head, Height Adj. Trendelenburg & Rev Leg and Back Section
- IP66, Washable, Lightweight and User Friendly Hand Control
- Washable remote control
- Stainless steel Frames & Cover
- Central and Directional Lock System
- Includes nurse control panel (with CPR feature)





Kimia
Teb Dornika



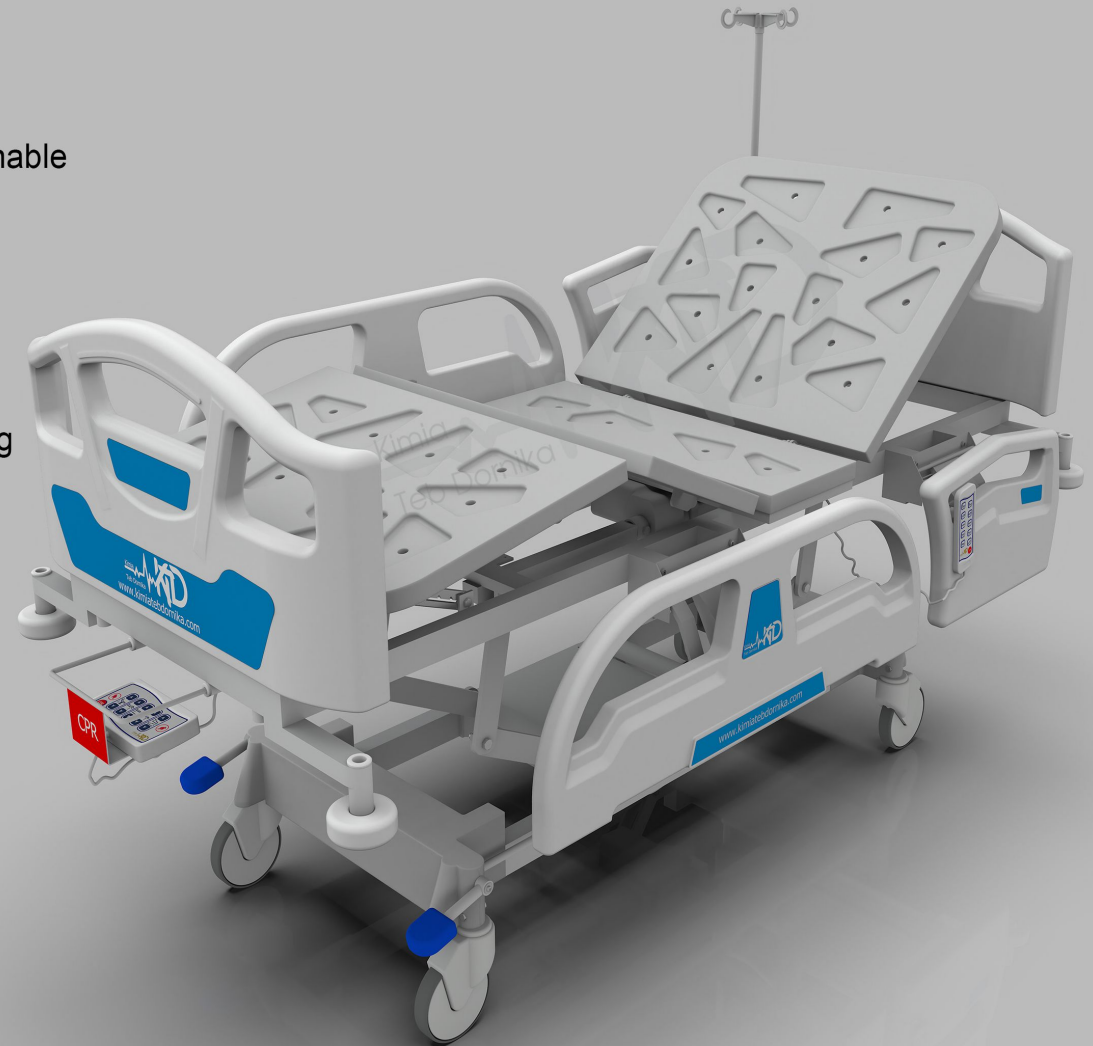
Electrical ICU-CCU BED

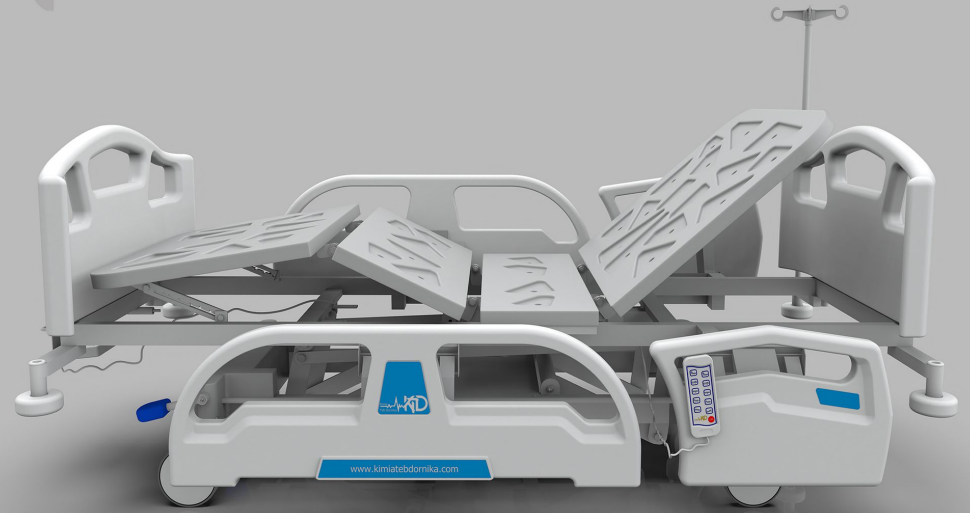
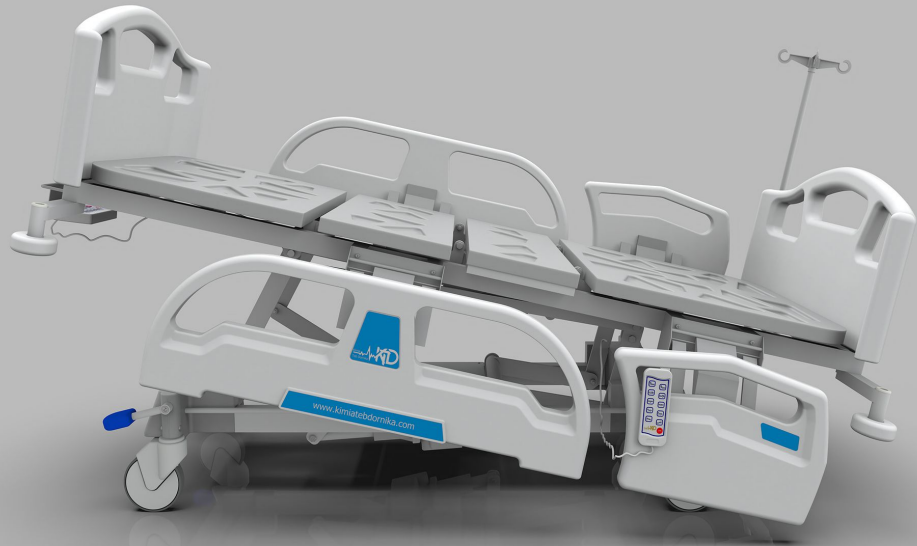


Electrical ICU Bed

KTD-2050

- Automatic Height Adj. Trendelenburg & Rev., Back and Leg Sections
- Powered by 24V motors with electrical protection standard IP66
- Includes nurse control panel, with CPR feature
- Washable remote control
- Features durable and resistant ABS surfaces, detachable and washable
- 4-piece butterfly ABS bedside
- ABS headrest and Footrest
- ABS bumper guards stick on all four corners
- Central and Directional Lock System
- High-quality profile frame Coating with electrostatic powder coloring

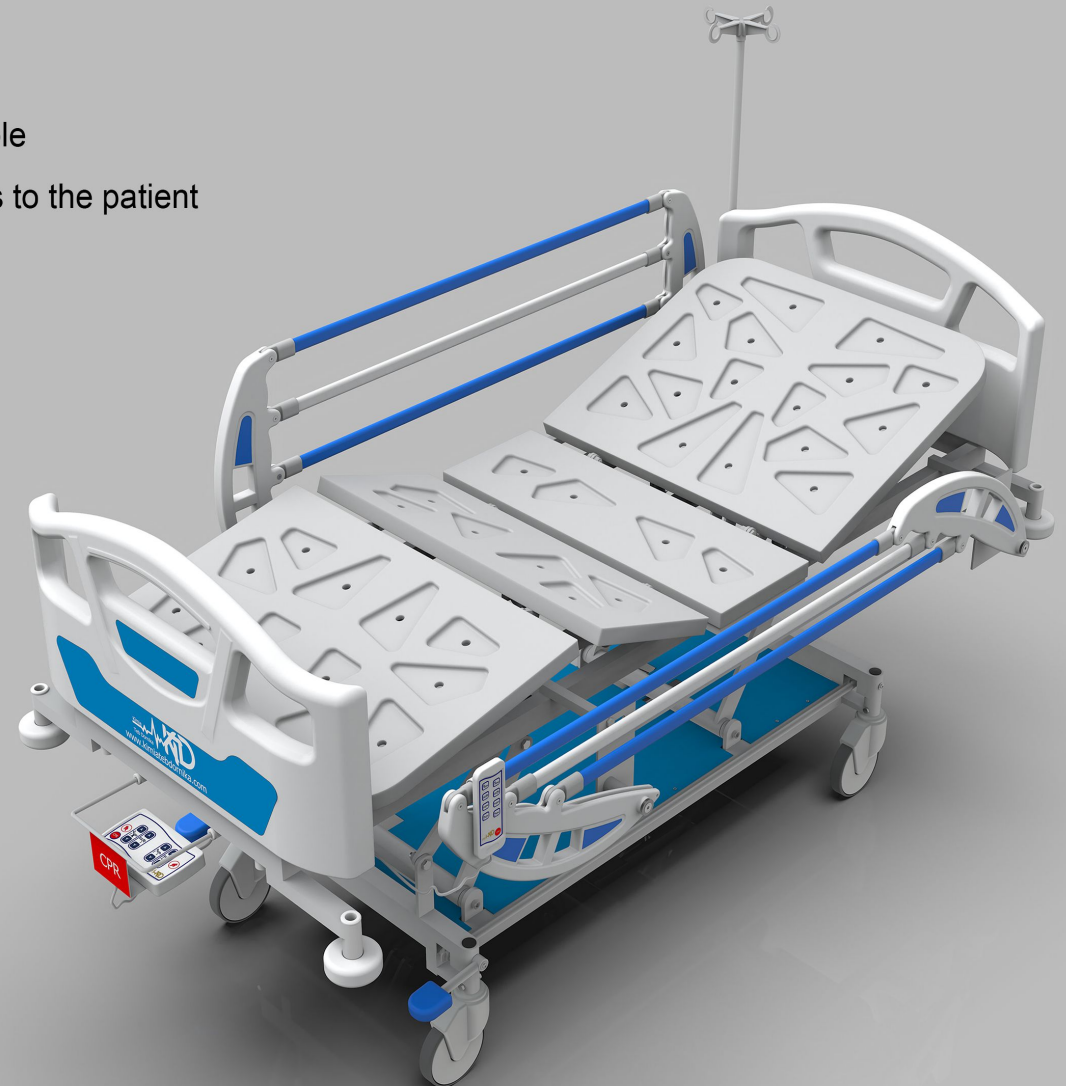




Electrical CCU Bed

KTD-2050

- Automatic Height Adj. Back and Leg Sections
- powered by 24V motors with electrical protection standard IP66
- Includes nurse control panel with CPR feature
- Features durable and resistant ABS surfaces, detachable and washable
- The bed features folding bedside safety rails, allowing for easy access to the patient
- Washable remote control
- ABS headrest and Footrest
- ABS bumper guards stick on all four corners
- Central and Directional Lock System
- High-quality profile frame Coating with electrostatic powder coloring

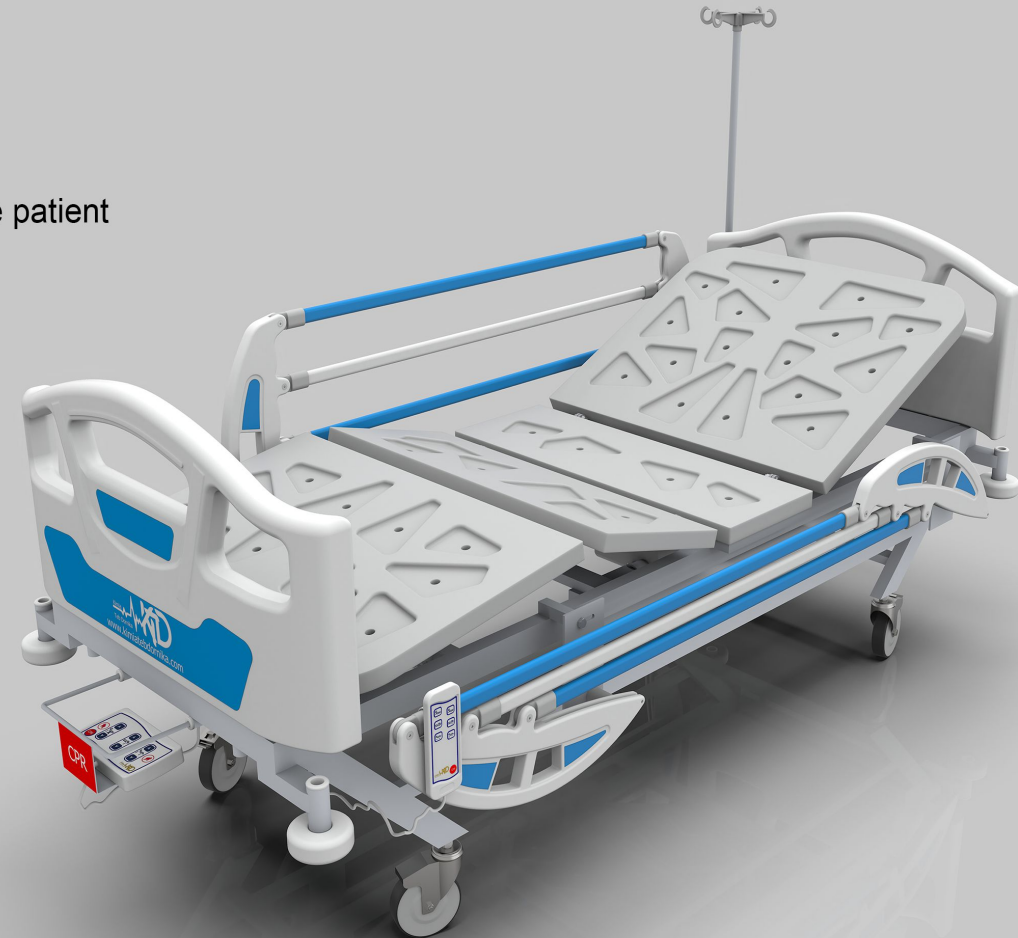


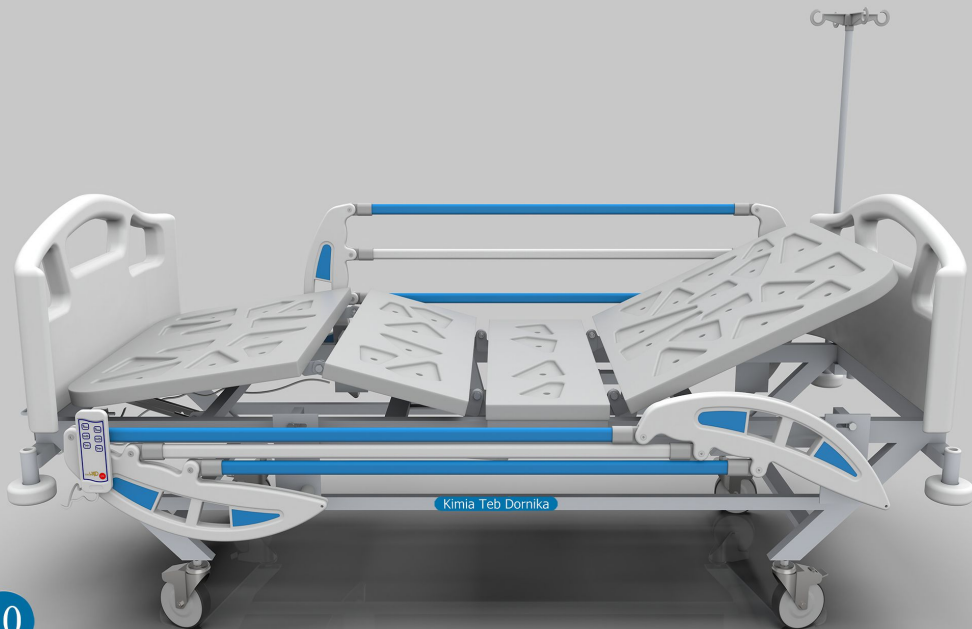
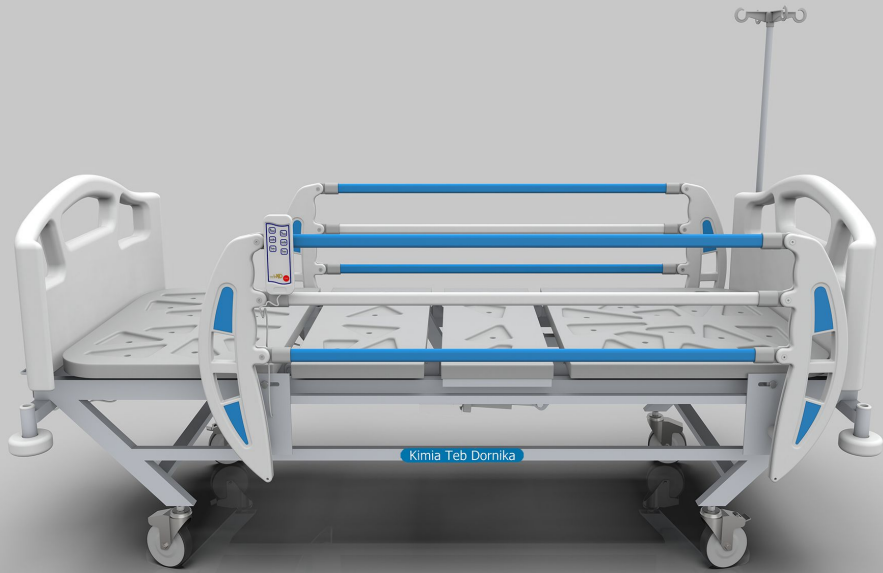


Electrical Hospital Bed

KTD-2040

- Automatic Back and Leg Sections
- powered by 24V motors (with electrical protection standard IP66)
- Includes nurse control panel (with CPR feature)
- Features durable and resistant ABS surfaces, detachable and washable
- High Quality Castors & Lock System
- The bed features folding bedside safety rails, allowing for easy access to the patient
- ABS bumper guards stick on all four corners
- ABS headrest and Footrest
- High-quality profile frame Coating with electrostatic powder coloring





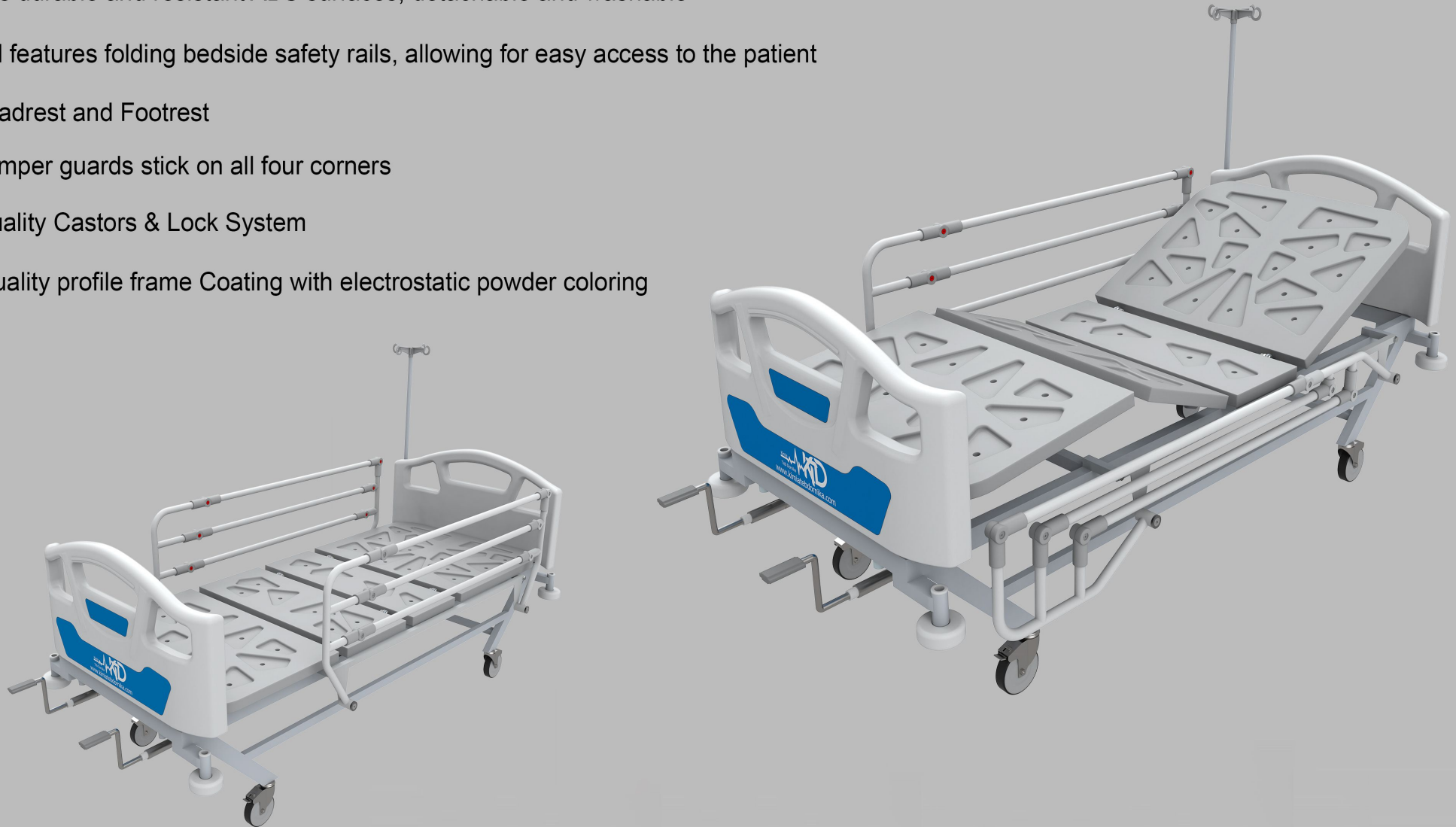
Hospital Bed



Mechanical Hospital Bed

KTD-2030

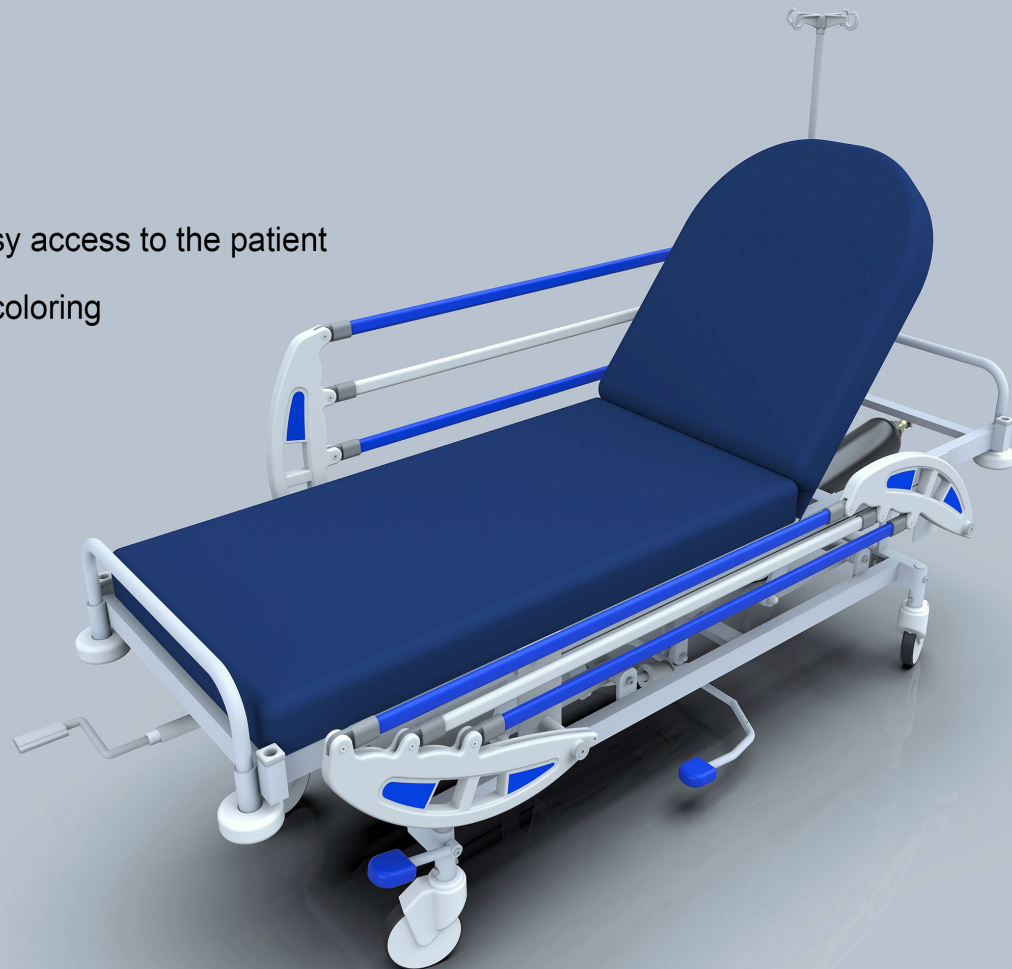
- Mechanical Back & Leg Section
- Features durable and resistant ABS surfaces, detachable and washable
- The bed features folding bedside safety rails, allowing for easy access to the patient
- ABS headrest and Footrest
- ABS bumper guards stick on all four corners
- High Quality Castors & Lock System
- High-quality profile frame Coating with electrostatic powder coloring

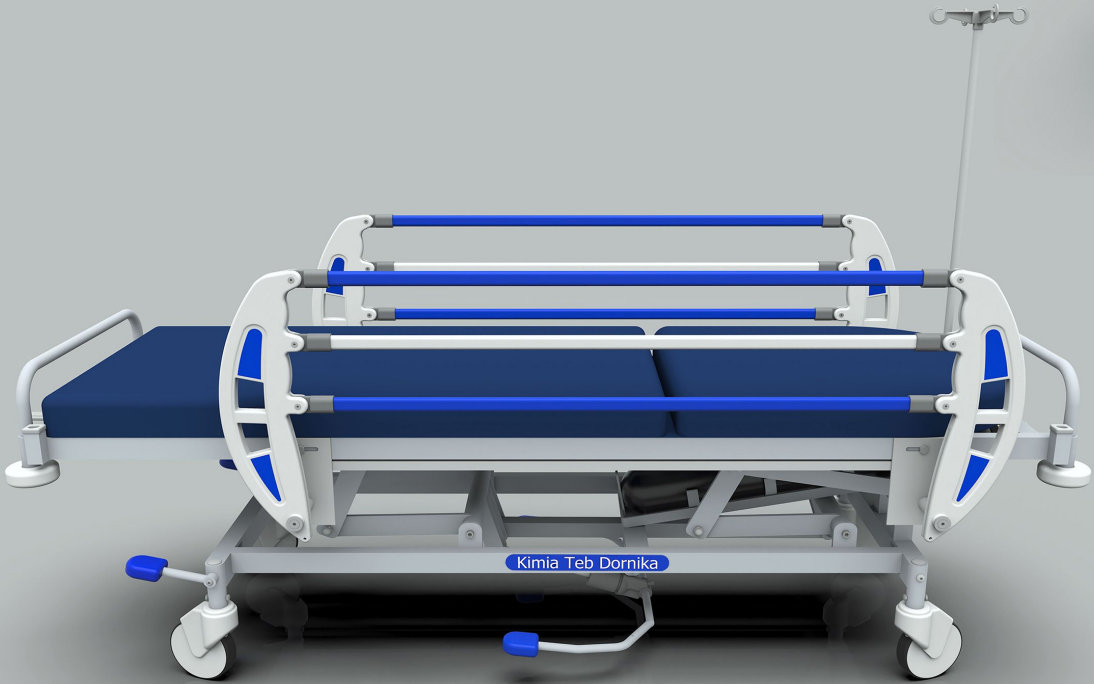
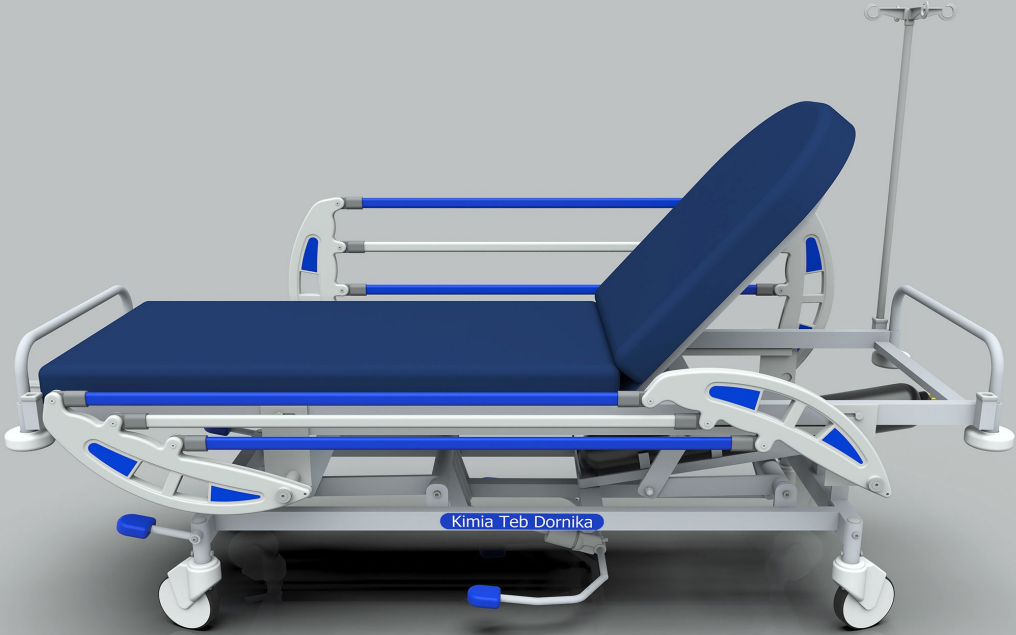


Hydraulic Stretcher

KTD-4010

- Mechanical Back
- Hydraulic Height
- Central and Directional Lock System
- ABS bumper guards stick on all four corners
- Rebonded Foam Mattress
- IV- pole
- The bed features folding bedside safety rails, allowing for easy access to the patient
- High-quality profile frame Coating with electrostatic powder coloring







Offic: No.46 ,Bozorgmehr St, Vesal Shirazi St, Enqelab St, TEHRAN-IRAN

Factory: No 878. Kolahdooz 3. shokouhie Industrial Town .QOM-IRAN

Tell:+982166496298-02126403327

+989129227051



www.kimiatebdornika.com

